



Air Conditioning Technical Data RXP-M



TABLE OF CONTENTS

RXP-M

1	Features	4
	RXP-M	4
2	Specifications	5
3	Electrical data	11
4	Capacity tables	12
	Cooling/Heating Capacity Tables	12
5	Dimensional drawings	15
6	Centre of gravity	16
7	Piping diagrams	18
8	Wiring diagrams	20
	Wiring Diagrams - Single Phase	20
9	Sound data	22
	Sound Pressure Spectrum	22
10	Operation range	25

1 Features

1 - 1 RXP-M

- › Outdoor units are fitted with a swing compressor, renowned for its low noise and high energy efficiency
- › Daikin outdoor units are neat, sturdy and can easily be mounted on a roof or terrace or simply placed against an outside wall
- › Outdoor units for pair application

1

2 Specifications

2 - 1 RXP-M

Technical specifications			FTXP20M9 + RXP20M	FTXP25M9 + RXP25M	FTXP35M9 + RXP35M		
Indoor unit			FTXP20M5V1B9	FTXP25M5V1B9	FTXP35M5V1B9		
Outdoor unit			RXP20M5V1B	RXP25M5V1B	RXP35M5V1B		
Cooling capacity	Min.	kW	1.3				
	Min.	Btu/h	4,400.0				
	Min.	kcal/h	1,118.0				
	Nom.	kW	2.00	2.50	3.50		
	Nom.	Btu/h	6,800.0	8,500.0	11,942.5		
	Nom.	kcal/h	1,720.0	2,150.0	3,009.5		
	Max.	kW	2.6	3.0	4.0		
	Max.	Btu/h	8,900.0	10,200.0	13,648.6		
	Max.	kcal/h	2,236.0	2,580.0	3,439.4		
Heating capacity	Min.	kW	1.30				
	Min.	Btu/h	4,400.0				
	Min.	kcal/h	1,110.0				
	Nom.	kW	2.50	3.00	4.00		
	Nom.	Btu/h	8,500.0	10,200.0	13,648.6		
	Nom.	kcal/h	2,150.0	2,580.0	3,439.4		
	Max.	kW	3.50	4.00	4.80		
	Max.	Btu/h	11,900.0	13,600.0	16,378.3		
	Max.	kcal/h	3,009.0	3,439.0	4,127.3		
Power input	Cooling	Min.	kW	0.31	0.29		
		Nom.	kW	0.50	0.65		
		Max.	kW	0.72	1.30		
	Heating	Min.	kW	0.25	0.29		
		Nom.	kW	0.52	0.69		
		Max.	kW	0.95	1.29		
Nominal efficiency	EER		4.02	3.83	3.49		
	COP		4.77	4.36	4.02		
	Annual energy consumption	kWh	249	326	-		
	Energy labeling	Cooling		A			
	Directive	Heating		A			
Space cooling	Capacity Pdesign	kW	2.00	2.50	3.50		
	Energy efficiency class			A++			
	SEER		6.79	6.92	6.62		
	Annual energy consumption	kWh/a	103	126	186		
Space heating (Average climate)	Capacity Pdesign	kW	2.20	2.40	2.80		
Space heating (Average climate)	Energy efficiency class			A++			
	SCOP/A		4.65	4.61	4.64		
	SCOPnet/A		4.69	4.65	4.68		
	Pdh Heating capacity at -10°	kW	1.99	2.10	2.33		
	Annual energy consumption	kWh/a	662	728	845		
	Required back up heating cap at design conditions	kW	0.21	0.30	0.47		
	Capacity Pdesignh	kW	1.18	1.29	1.51		
Space heating (Warm climate)	Energy efficiency class			A+++			
	SCOP		5.65	5.63	5.79		
	SCOPnet		5.83	5.79	5.93		
	Annual energy consumption	kWh/a	293	321	366		
	Required back up heating cap at design conditions	kW		0.00			
	Space cooling	A Condi- tion (35°C - 27/19)	Pdc	kW	2.00	2.50	3.50
			EERd		4.02	3.83	3.49
Power input			kW	0.50	0.65	1.01	
B Condi- tion (30°C - 27/19)		Pdc	kW	1.47	1.84	2.58	
		EERd		5.12	5.19	4.40	
		Power input	kW	0.29	0.35	0.59	
C Condi- tion (25°C - 27/19)		Pdc	kW	1.24	1.45	1.66	
		EERd		8.51	8.54	8.09	
		Power input	kW	0.15	0.17	0.21	
D Condi- tion (20°C - 27/19)		Pdc	kW	1.32	1.34	1.36	
	EERd		13.15	13.19	13.38		
	Power input	kW		0.10			

2 Specifications

2 - 1 RXP-M

2

Technical specifications				FTXP20M9 + RXP20M	FTXP25M9 + RXP25M	FTXP35M9 + RXP35M	
Space heating (Average climate)	TOL	Tol (temperature operating limit) °C		-15			
		Pdh (declared heating cap) kW		2.05	2.07	2.09	
		COPd (declared COP)		2.24	2.26	2.28	
		Power input kW		0.92			
	TBivalent	Tbiv (bivalent temperature) °C		-7			
		Pdh (declared heating cap) kW		1.95	2.12	2.48	
		COPd (declared COP)		3.26	3.22	3.19	
		Power input kW		0.60	0.66	0.78	
	A Condi- tion (-7°C)	Pdh (declared heating cap) kW		1.95	2.12	2.48	
		COPd (declared COP)		3.26	3.22	3.19	
		Power input kW		0.60	0.66	0.78	
	B Condi- tion (2°C)	Pdh (declared heating cap) kW		1.18	1.29	1.51	
COPd (declared COP)		4.65	4.60	4.59			
Space heating (Average climate)	B Condi- tion (2°C)	Power input kW		0.25	0.28	0.33	
		C Condi- tion (7°C)	Pdh (declared heating cap) kW		0.91	0.93	0.97
			COPd (declared COP)		5.86	5.79	5.84
	D Condi- tion (12°C)	Power input kW		0.16			
		Pdh (declared heating cap) kW		1.09	1.11	1.13	
		COPd (declared COP)		7.50	7.35	7.38	
	Space heating (Warm climate)	TOL	Tol (temperature operating limit) °C		-15		
			Pdh (declared heating cap) kW		2.05	2.07	2.09
			COPd (declared COP)		2.24	2.26	2.28
			Power input kW		0.92		
		TBivalent	Tbiv (bivalent temperature) °C		2		
			Pdh (declared heating cap) kW		1.18	1.29	1.51
COPd (declared COP)			4.66	4.61	4.59		
Power input kW			0.25	0.28	0.33		
B Condi- tion (2°C)		Pdh (declared heating cap) kW		1.18	1.29	1.51	
		COPd (declared COP)		4.65	4.60	4.59	
		Power input kW		0.25	0.28	0.33	
C Condi- tion (7°C)		Pdh (declared heating cap) kW		0.91	0.93	0.97	
	COPd (declared COP)		5.86	5.79	5.84		
	Power input kW		0.16				
D Condi- tion (12°C)	Pdh (declared heating cap) kW		1.09	1.11	1.13		
	COPd (declared COP)		7.50	7.35	7.38		
Power consump- tion in other than active mode	Crankcase heater mode	PCK		W			
		Off mode		POFF			
	Standby mode	Cooling	PSB	W			
		Heating	PSB	W			
	Thermo- stat-off mode	PTO	Cooling	W			
			Heating	W			
Cooling	Cdc (Degradation cooling)		0.25				
Heating	Cdh (Degradation heating)		0.25				
Cooling function included						Yes	
Heating function included						Yes	
Average climate included						Yes	
Cold season included						No	
Warm season included						Yes	
Ecolabel logo						No	
Eurovent	Sound power level outdoor	Cooling	Nom.	dB(A)	60	62	
		Cooling	Nom.	dB(A)	55	58	
	Piping length	Cooling	Measuring condition	m	5.0		

Electrical specifications				FTXP20M9 + RXP20M	FTXP25M9 + RXP25M	FTXP35M9 + RXP35M
Power factor	Nominal	Cooling	%	74.3	94.0	81.9
		Heating	%	90.5	94.8	86.0
Current	Nominal running current (RLA)	Cooling	A (2)	2.93	3.01	5.42
	Nominal running current (RLA) - 50Hz	Heating	A	2.50	3.16	5.03

Nominal cooling capacities are based on: indoor temperature: 27°CDB, 19°CWB, outdoor temperature: 35°CDB, equivalent refrigerant piping: 5m, level difference: 0m. |
 Nominal heating capacities are based on: indoor temperature: 20°CDB, outdoor temperature: 7°CDB, 6°CWB, equivalent refrigerant piping: 5m, level difference: 0m. |
 See separate drawing for electrical data

2 Specifications

2 - 1 RXP-M

Technical specifications			FTXP50M + RXP50M	FTXP60M + RXP60M	FTXP71M + RXP71M	
Indoor unit			FTXP50M2V1B	FTXP60M2V1B	FTXP71M2V1B	
Outdoor unit			RXP50M5V1B	RXP60M5V1B	RXP71M5V1B	
Cooling capacity	Min.	kW	1.7		2.3	
	Min.	Btu/h	5,800		7,848	
	Min.	kcal/h	1,460		1,976	
	Nom.	kW	5.0	6.0	7.1	
	Nom.	Btu/h	17,060	20,472	24,225	
	Nom.	kcal/h	4,295	5,154	6,099	
	Max.	kW	6.0	7.0	7.3	
	Max.	Btu/h	20,472	23,884	24,908	
	Max.	kcal/h	5,154	6,013	6,271	
Heating capacity	Min.	kW	1.7		2.3	
	Min.	Btu/h	5,800		7,848	
	Min.	kcal/h	1,460		1,976	
	Nom.	kW	6.0	7.0	8.2	
	Nom.	Btu/h	20,472	23,884	27,978	
	Nom.	kcal/h	5,154	6,013	7,044	
	Max.	kW	7.7	8.0	9.0	
	Max.	Btu/h	26,272	27,296	30,708	
	Max.	kcal/h	6,614	6,872	7,731	
Power input	Cooling	Min.	kW	0.320	0.332	0.449
		Nom.	kW	1.385	1.824	2.689
		Max.	kW	1.826	2.980	3.274
	Heating	Min.	kW	0.440	0.456	0.617
		Nom.	kW	1.579	1.928	2.571
		Max.	kW	2.356	2.787	3.306
Nominal efficiency	EER		3.61	3.29	2.64	
	COP		3.80	3.63	3.19	
	Annual energy consumption	kWh	693	912	1,345	
Space cooling	Capacity Pdesign	kW	5.0	6.0	7.1	
	Energy efficiency class			A++		
	SEER		7.30	6.82	6.20	
Space heating (Average climate)	Annual energy consumption	kWh/a	240	308	401	
	Capacity Pdesign	kW	4.60	4.80	6.20	
	Energy efficiency class			A+		
Space heating (Average climate)	SCOP/A		4.40	4.10	4.01	
	SCOPnet/A		4.42	4.12	4.04	
	Pdh Heating capacity at -10°	kW	4.12	4.24	5.02	
Space heating (Warm climate)	Annual energy consumption	kWh/a	1,463	1,638	2,166	
	Required back up heating cap at design conditions	kW	0.48	0.56	1.18	
	Capacity Pdesignh	kW	2.48	2.58	3.34	
Space heating (Warm climate)	Energy efficiency class			A+++		
	SCOP		5.70	5.20	5.57	
	SCOPnet		5.79	5.27	5.64	
Space heating (Warm climate)	Annual energy consumption	kWh/a	609	695	839	
	Required back up heating cap at design conditions	kW		0.00		
	Space cooling	A Condi- tion (35°C - 27/19)	Pdc	kW	5.00	6.00
EERd				3.61	3.29	2.64
Power input			kW	1.39	1.82	2.69
B Condi- tion (30°C - 27/19)		Pdc	kW	3.68	4.42	5.23
		EERd		5.07	4.82	4.15
		Power input	kW	0.73	0.92	1.26
C Condi- tion (25°C - 27/19)		Pdc	kW	2.37	2.84	3.36
		EERd		8.90	7.99	8.50
		Power input	kW	0.27	0.36	0.40
D Condi- tion (20°C - 27/19)		Pdc	kW	2.12	2.39	2.60
		EERd		13.9	13.5	10.4
		Power input	kW	0.15	0.18	0.25

2 Specifications

2 - 1 RXP-M

2

Technical specifications				FTXP50M + RXP50M	FTXP60M + RXP60M	FTXP71M + RXP71M		
Space heating (Average climate)	TOL	Tol (temperature operating limit) °C		-15				
		Pdh (declared heating cap) kW		4.20	4.22	4.24		
		COPd (declared COP)		2.06	1.81	1.96		
		Power input kW		2.04	2.33	2.16		
	TBivalent	Tbiv (bivalent temperature) °C		-7.0				
		Pdh (declared heating cap) kW		4.07	4.25	5.48		
		COPd (declared COP)		2.76	2.25	2.26		
		Power input kW		1.47	1.89	2.42		
	A Condi- tion (-7°C)	Pdh (declared heating cap) kW		4.07	4.25	5.48		
		COPd (declared COP)		2.76	2.25	2.26		
		Power input kW		1.47	1.89	2.42		
	B Condi- tion (2°C)	Pdh (declared heating cap) kW		2.48	2.58	3.34		
COPd (declared COP)		4.40	4.34	4.01				
Power input kW		0.56	0.59	0.83				
C Condi- tion (7°C)	Pdh (declared heating cap) kW		1.59	1.66	2.15			
Space heating (Average climate)	C Condi- tion (7°C)	COPd (declared COP)		5.68	5.29	5.50		
		Power input kW		0.28	0.31	0.39		
	D Condi- tion (12°C)	Pdh (declared heating cap) kW		1.60	2.00	2.07		
		COPd (declared COP)		7.11	6.41	7.00		
	Power input kW		0.23	0.31	0.30			
	Space heating (Warm climate)	TOL	Tol (temperature operating limit) °C		-15			
Pdh (declared heating cap) kW			4.20	4.22	4.24			
COPd (declared COP)			2.06	1.81	1.96			
Power input kW			2.04	2.33	2.16			
TBivalent		Tbiv (bivalent temperature) °C		2				
		Pdh (declared heating cap) kW		2.48	2.58	3.34		
		COPd (declared COP)		4.40	4.34	4.01		
		Power input kW		0.56	0.59	0.83		
B Condi- tion (2°C)		Pdh (declared heating cap) kW		2.48	2.58	3.34		
		COPd (declared COP)		4.40	4.34	4.01		
		Power input kW		0.56	0.59	0.83		
C Condi- tion (7°C)		Pdh (declared heating cap) kW		1.59	1.66	2.15		
		COPd (declared COP)		5.68	5.29	5.50		
		Power input kW		0.28	0.31	0.39		
D Condi- tion (12°C)		Pdh (declared heating cap) kW		1.60	2.00	2.07		
		COPd (declared COP)		7.11	6.41	7.00		
		Power input kW		0.23	0.31	0.30		
Power consump- tion in other than active mode		Crankcase heater mode	PCK		W			
			Off mode		POFF			
		Standby mode	Cooling	PSB		W		
				Thermo- stat-off mode		PTO	Cooling	W
				Heating	W	12	14	
Cooling		Cdc (Degradation cooling)			0.25			
Heating		Cdh (Degradation heating)			0.25			
Cooling function included				Yes				
Heating function included				Yes				
Average climate included				Yes				
Warm season included				Yes				
Eurovent	Sound power level outdoor	Cooling	Nom.	dBA	61	63	66	
					59	60	62	
	Piping length	Cooling	Measuring condition	m	5.0			

Electrical specifications				FTXP50M + RXP50M	FTXP60M + RXP60M	FTXP71M + RXP71M
Power factor	Nominal	Cooling	%	95.6	99.1	
		Heating	%	96.7	99.2	98.9
Current	Nominal running current (RLA)	Cooling	A (2)	6.3	8.0	11.8
		Heating	A	7.1	8.5	11.3
Nominal running current (RLA) - 50Hz						

Nominal cooling capacities are based on: indoor temperature: 27°CDB, 19°CWB, outdoor temperature: 35°CDB, equivalent refrigerant piping: 5m, level difference: 0m. |
Nominal heating capacities are based on: indoor temperature: 20°CDB, outdoor temperature: 7°CDB, 6°CWB, equivalent refrigerant piping: 5m, level difference: 0m.

Technical Specifications				RXP20M	RXP25M	RXP35M	RXP50M	RXP60M	RXP71M
Casing	Colour			Ivory white					

2 Specifications

2 - 1 RXP-M

Technical Specifications					RXP20M	RXP25M	RXP35M	RXP50M	RXP60M	RXP71M		
Dimensions	Unit	Height	mm	550			734					
		Width	mm	658			870					
		Depth	mm	275			373					
	Packed unit	Height	mm	630			820					
		Width	mm	790			1,050					
		Depth	mm	400			480					
Weight	Unit	kg	26	28	46.0	50.0						
	Packed unit	kg	28	30	50.0	54.0						
Packing	Weight	kg	2			4.0						
Heat exchanger	Length	mm	670			647			943		920	
	Rows	Quantity	1			2			1	2		
	Fin pitch	mm	1.40						1.4			
	Stages	Quantity	24						32			
	Passes	Quantity	1.6			3.1			2.2			
	Tube type	ø7 Hi-XD										
	Tube material	Copper						-				
	Fin	Type				Waffle fin (PE)						
	Fan	Type				Propeller			Propeller fan			
		Air flow rate	Cooling	High	m ³ /min	27.6		28.2		-		-
Nom.				cfm	975		996		-		-	
Heating			High	m ³ /min	27.1	28.0	26.8		-		-	
			Nom.	cfm	957	990	946		-		-	
								41.0	45.5	1,447	1,608	
							43.2	45.3	1,527	1,643		
Fan motor	Model				ZWA138S28A			D55F-31				
	Insulation grade				Class "E"			-				
	Output	W			21			55				
	Speed	Cooling	High	rpm	840		740		760			
			Nom.	rpm	-		710		740			
			Low	rpm	700		680		740			
		Heating	High	rpm	870	900	840		710		740	760
			Nom.	rpm	-			710		740		760
			Low	rpm	720			630		660		
	Compressor	Model				1YC25KXD#D			2YC40JXD#C			
Oil Amount		cm ³			375			650				
Type		Hermetically sealed swing compressor										
Output		W			870			1,300				
Oil Type		FW68DA										
Operation range	Cooling	Ambient	Min.	°CDB				-10				
			Max.	°CDB				48				
	Heating	Ambient	Min.	°CDB				-15				
			Max.	°CDB				24				
Sound pressure level	Cooling	High	dB(A)	46		48		-		-		
		Nom.	dB(A)	-		-		47		49	52	
	Heating	High	dB(A)	47		48		-		-		
		Nom.	dB(A)	-		-		49		52		
Refrigerant	Type	R-32										
	Charge	kg			0.55		0.70		0.90		1.15	
	Charge	TCO ₂ Eq			0.37		0.48		0.61		0.78	
	GWP				675.0			675				
Piping connections	Liquid	OD	mm				6.35					
	Gas	OD	mm	9.5			12.7					
	Drain	OD	mm	18			16					
	Piping length	OU - IU	Max. m	15			30					
	Additional refrigerant charge	kg/m			0.02 (for piping length exceeding 10m)							
	Level difference	IU - OU	Max. m	12			20					
	Heat insulation				-			Both liquid and gas pipes				
Capacity control	Method	Variable (inverter)										

Standard accessories: Drain plug; Quantity: 1;

Standard accessories: Installation manual; Quantity: 1;

Standard accessories: Refrigerant charge label; Quantity: 1;

Standard accessories: Multilingual fluorinated greenhouse gases labels; Quantity: 1;

Standard accessories: General safety precautions; Quantity: 1;

Standard accessories: Drain cap (1); Quantity: 6;

Standard accessories: Drain cap (2); Quantity: 3;

2 Specifications

2 - 1 RXP-M

2

Electrical Specifications			RXP20M	RXP25M	RXP35M	RXP50M	RXP60M	RXP71M
Power supply	Phase					1~		
	Frequency	Hz				50		
	Voltage	V				220-240		
Wiring connections	For power supply	Quantity				3		
		Remark				Earth wire included		
	For connection with indoor	Quantity				4		
		Remark				Earth wire included		
Current - 50Hz	Maximum fuse amps (MFA)	A		16			20	

See separate drawing for operation range |

See separate drawing for electrical data |

Contains fluorinated greenhouse gases

3 Electrical data

3 - 1 Electrical Data

FTXP20-35M / RXP20-35M
FTXP20-35M9 / RXP20-35M

Unit combination restrictions		Power supply				COMP		OFM		IFM		
Indoor unit	Outdoor unit	①	②	③	MCA	MFA	RHz	RLA	kW	FLA	kW	FLA
FTXP20M5V1B	RXP20M5V1B	50	220	MAX. 50Hz 264V MIN. 50Hz 198V	10,4	16	32,0	2,4	0,024	0,17	0,024	0,34
		50	230					2,3				
		50	240					2,2				
FTXP25M5V1B	RXP25M5V1B	50	220	MAX. 50Hz 264V MIN. 50Hz 198V	10,4	16	44,0	2,9	0,024	0,17	0,024	0,34
		50	230					2,7				
		50	240					2,6				
FTXP35M5V1B	RXP35M5V1B	50	220	MAX. 50Hz 264V MIN. 50Hz 198V	10,4	16	70,0	4,7	0,021	0,16	0,037	0,45
		50	230									
		50	240									
ATXP20M5V1B	ARXP20M5V1B	50	220	MAX. 50Hz 264V MIN. 50Hz 198V	10,4	16	32,0	2,4	0,024	0,17	0,024	0,34
		50	230					2,3				
		50	240					2,2				
ATXP25M5V1B	ARXP25M5V1B	50	220	MAX. 50Hz 264V MIN. 50Hz 198V	10,4	16	44,0	2,9	0,024	0,17	0,024	0,34
		50	230					2,7				
		50	240					2,6				
ATXP35M5V1B	ARXP35M5V1B	50	220	MAX. 50Hz 264V MIN. 50Hz 198V	10,4	16	70,0	4,7	0,021	0,16	0,037	0,45
		50	230									
		50	240									
FTXP20M5V1B9	RXP20M5V1B	50	220	MAX. 50Hz 264V MIN. 50Hz 198V	10,4	16	32,0	2,4	0,024	0,17	0,024	0,34
		50	230					2,3				
		50	240					2,2				
FTXP25M5V1B9	RXP25M5V1B	50	220	MAX. 50Hz 264V MIN. 50Hz 198V	10,4	16	44,0	2,9	0,024	0,17	0,024	0,34
		50	230					2,7				
		50	240					2,6				
FTXP35M5V1B9	RXP35M5V1B	50	220	MAX. 50Hz 264V MIN. 50Hz 198V	10,4	16	70,0	4,7	0,021	0,16	0,037	0,45
		50	230									
		50	240									

Notes

- The ·RLA· is based on the following conditions.
Indoor temperature ·27·°C DB / ·19·°C WB
Outdoor temperature ·35·°C DB
- Select the wire size according to the MCA.
- The maximum allowable voltage that is unbalanced between phases is ·2·%.
- Use a circuit breaker instead of a fuse.

Symbols

- ① Hz
- ② Voltage
- ③ Voltage range

- COMP Compressor
- IFM Indoor fan motor
- OFM Outdoor fan motor
- FLA Full Load Ampere [A]
- kW Fan motor rated output [kW]
- RHz Rated operating frequency [Hz]

- MCA Minimum Circuit Ampere [A]
- MFA Maximum Fuse Ampere [A]
- RLA Rated load amps [A]

3D121482A

RXP50-71M

Unit combination restrictions		Power supply				COMP		OFM		IFM		
Outdoor unit	Indoor unit	Hz	Voltage	Voltage range	MCA	MFA	RHz	RLA	kW	FLA	kW	FLA
RXP50M2V1B	FTXP50M2V1B	50	220	MAX. 50Hz 264V MIN. 50Hz 198V	14.5	20	54	6.5	0.056	0.37	0.045	0.43
		50	230					6.3				
		50	240					6.1				
RXP60M2V1B	FTXP60M2V1B	50	220	MAX. 50Hz 264V MIN. 50Hz 198V	15.7	20	66	8.1	0.056	0.37	0.049	0.46
		50	230					8.0				
		50	240					7.9				
RXP71M2V1B	FTXP71M2V1B	50	220	MAX. 50Hz 264V MIN. 50Hz 198V	15.7	20	84	11.9	0.056	0.37	0.049	0.46
		50	230					11.8				
		50	240					11.7				
RXP50M5V1B	FTXP50M2V1B	50	220	MAX. 50Hz 264V MIN. 50Hz 198V	14.5	20	54	6.5	0.056	0.37	0.045	0.43
		50	230					6.3				
		50	240					6.1				
RXP60M5V1B	FTXP60M2V1B	50	220	MAX. 50Hz 264V MIN. 50Hz 198V	15.7	20	66	8.1	0.056	0.37	0.049	0.46
		50	230					8.0				
		50	240					7.9				
RXP71M5V1B	FTXP71M2V1B	50	220	MAX. 50Hz 264V MIN. 50Hz 198V	15.7	20	84	11.9	0.056	0.37	0.049	0.46
		50	230					11.8				
		50	240					11.7				

SYMBOLS

NOTES:

- The ·RLA· is based on the following conditions.
Outdoor temperature ·35·°C DB
Indoor temperature ·27·°C DB / ·19·°C WB
- Select the wire size according to the MCA.
- The maximum allowable voltage that is unbalanced between phases is ·2·%.
- Use a circuit breaker instead of a fuse.

- MCA: Minimum Circuit Ampere [A]
- MFA: Maximum Fuse Ampere [A]
- RLA: Rated load amps [A]
- OFM: Outdoor fan motor
- IFM: Indoor fan motor
- FLA: Full Load Ampere [A]
- kW: Fan motor rated output [kW]
- RHz: Rated operating frequency [Hz]

3D120329B

4 Capacity tables

4 - 1 Cooling/Heating Capacity Tables

4

FTXP20M / RXP20M
FTXP20M9 / RXP20M

Cooling ·50· Hz ·230· V

AFR	9,5
BF	0,11

Indoor temperature		Outdoor temperature [°C DB]																	
EWB	EDB	20			25			30			32			35			40		
°C	°C	TC	SHC	PI	TC	SHC	PI	TC	SHC	PI	TC	SHC	PI	TC	SHC	PI	TC	SHC	PI
14,0	20	2,05	1,80	0,39	1,96	1,76	0,42	1,86	1,72	0,46	1,83	1,70	0,48	1,77	1,67	0,50	1,68	1,63	0,53
16,0	22	2,14	1,77	0,39	2,05	1,73	0,43	1,95	1,69	0,46	1,92	1,68	0,48	1,86	1,65	0,50	1,77	1,61	0,54
18,0	25	2,23	1,89	0,39	2,14	1,86	0,43	2,05	1,82	0,46	2,01	1,81	0,48	1,95	1,78	0,50	1,86	1,75	0,54
19,0	27	2,28	2,03	0,39	2,19	2,00	0,43	2,09	1,96	0,47	2,06	1,95	0,48	2,00	1,93	0,50	1,91	1,89	0,54
22,0	30	2,42	1,97	0,39	2,32	1,94	0,43	2,23	1,91	0,47	2,19	1,90	0,48	2,14	1,88	0,51	2,05	1,85	0,54
24,0	32	2,51	1,93	0,40	2,42	1,91	0,43	2,32	1,88	0,47	2,29	1,87	0,49	2,23	1,85	0,51	2,14	1,82	0,55

Heating ·50· Hz ·230· V

AFR	10,4
-----	------

Indoor temperature		Outdoor temperature [°C WB]											
EDB	°C	-15		-10		-5		0		6		10	
°C	°C	TC	PI	TC	PI	TC	PI	TC	PI	TC	PI	TC	PI
15,0	15,0	1,19	0,34	1,43	0,35	1,67	0,37	1,92	0,49	2,59	0,51	2,81	0,53
20,0	20,0	1,12	0,35	1,36	0,36	1,60	0,38	1,84	0,50	2,50	0,52	2,73	0,54
22,0	22,0	1,09	0,35	1,33	0,37	1,57	0,38	1,81	0,50	2,47	0,53	2,69	0,55
24,0	24,0	1,06	0,35	1,30	0,37	1,54	0,39	1,78	0,51	2,43	0,53	2,66	0,55
25,0	25,0	1,04	0,36	1,28	0,37	1,52	0,39	1,76	0,51	2,41	0,54	2,64	0,55
27,0	27,0	1,01	0,36	1,25	0,38	1,49	0,39	1,74	0,51	2,38	0,54	2,61	0,56

Symbols

- AFR : Air flow rate [m³/min]
- BF : Bypass factor
- EWB : Entering wet-bulb temperature (°C WB)
- EDB : Entering dry-bulb temperature (°C DB)
- TC : Total capacity [kW]
- SHC : Sensible heat capacity [kW]
- PI : Power input [kW]

Notes

1. The ratings shown are net capacities which include a deduction for indoor fan motor heat.
2. The bold cells indicate the standard conditions.
Rated operating frequency [Hz]
3. The capacities are based on the following conditions:
Corresponding refrigerant piping length: ·5· m-
Level difference: ·0· m
4. The air flow rate and bypass factor are mentioned in the table.

3D122037A

FTXP25M / RXP25M
FTXP25M9 / RXP25M

Cooling ·50· Hz ·220-240· V

AFR	9,7
BF	0,11

Indoor temperature		Outdoor temperature [°C DB]																	
EWB	EDB	20			25			30			32			35			40		
°C	°C	TC	SHC	PI	TC	SHC	PI	TC	SHC	PI	TC	SHC	PI	TC	SHC	PI	TC	SHC	PI
14,0	20	2,56	2,08	0,50	2,44	2,03	0,55	2,33	1,97	0,59	2,28	1,96	0,61	2,21	1,92	0,64	2,10	1,86	0,69
16,0	22	2,68	2,05	0,50	2,56	1,99	0,55	2,44	1,94	0,60	2,40	1,92	0,62	2,33	1,89	0,65	2,21	1,84	0,70
18,0	25	2,79	2,17	0,50	2,68	2,12	0,55	2,56	2,07	0,60	2,51	2,06	0,62	2,44	2,03	0,65	2,33	1,98	0,70
19,0	27	2,85	2,31	0,50	2,73	2,27	0,55	2,62	2,22	0,60	2,57	2,20	0,62	2,50	2,18	0,65	2,38	2,13	0,70
22,0	30	3,02	2,24	0,51	2,91	2,20	0,56	2,79	2,16	0,61	2,74	2,14	0,63	2,67	2,12	0,66	2,56	2,08	0,70
24,0	32	3,14	2,19	0,51	3,02	2,15	0,56	2,90	2,12	0,61	2,86	2,10	0,63	2,79	2,08	0,66	2,67	2,04	0,71

Heating ·50· Hz ·220-240· V

AFR	10,4
-----	------

Indoor temperature		Outdoor temperature [°C WB]											
EDB	°C	-15		-10		-5		0		6		10	
°C	°C	TC	PI	TC	PI	TC	PI	TC	PI	TC	PI	TC	PI
15,0	15,0	1,43	0,44	1,72	0,47	2,00	0,49	2,30	0,64	3,10	0,67	3,37	0,70
20,0	20,0	1,34	0,46	1,63	0,48	1,92	0,50	2,21	0,65	3,00	0,69	3,27	0,71
22,0	22,0	1,31	0,46	1,59	0,48	1,88	0,51	2,17	0,66	2,96	0,69	3,23	0,72
24,0	24,0	1,27	0,47	1,56	0,49	1,85	0,51	2,14	0,67	2,92	0,70	3,19	0,72
25,0	25,0	1,25	0,47	1,54	0,49	1,83	0,51	2,12	0,67	2,90	0,70	3,17	0,73
27,0	27,0	1,22	0,47	1,51	0,50	1,79	0,52	2,09	0,68	2,86	0,71	3,13	0,73

Symbols

- AFR : Air flow rate [m³/min]
- BF : Bypass factor
- EWB : Entering wet-bulb temperature (°C WB)
- EDB : Entering dry-bulb temperature (°C DB)
- TC : Total capacity [kW]
- SHC : Sensible heat capacity [kW]
- PI : Power input [kW]

Notes

1. Ratings shown are net capacities which include a deduction for indoor fan motor heat.
2. shows nominal (rated) capacities and power input.
3. TC, PI and SHC must be calculated by interpolation using the figures in the above tables. (Figures out of the tables should not be used for calculation.)
4. About SHC which are not mentioned on the table, please calculate them with around values in direct proportion.
5. Capacities are based on the following conditions.
Corresponding refrigerant piping length : 5m
Level difference : 0m
6. Air flow rate (AFR) and Bypass factor (BF) are tabulated above table.

3D121478A

4 Capacity tables

4 - 1 Cooling/Heating Capacity Tables

FTXP35M / RXP35M

FTXP35M9 / RXP35M

Cooling ·50· Hz ·230· V

AFR	11,5
BF	0,23

Indoor temperature		Outdoor temperature [°C DB]																	
EWB	EDB	20			25			30			32			35			40		
		TC	SHC	PI	TC	SHC	PI	TC	SHC	PI	TC	SHC	PI	TC	SHC	PI	TC	SHC	PI
14,0	20	3,59	2,69	0,77	3,42	2,61	0,85	3,26	2,53	0,91	3,19	2,50	0,94	3,10	2,45	0,99	2,93	2,37	1,06
16,0	22	3,75	2,65	0,78	3,58	2,57	0,85	3,42	2,49	0,92	3,36	2,47	0,95	3,26	2,42	0,99	3,10	2,35	1,07
18,0	25	3,91	2,78	0,78	3,75	2,71	0,86	3,58	2,64	0,92	3,52	2,61	0,95	3,42	2,57	1,00	3,26	2,50	1,07
19,0	27	3,99	2,93	0,78	3,83	2,86	0,86	3,66	2,80	0,92	3,60	2,77	0,95	3,50	2,73	1,00	3,34	2,67	1,08
22,0	30	4,23	2,83	0,79	4,07	2,77	0,87	3,90	2,71	0,93	3,84	2,69	0,96	3,74	2,65	1,01	3,58	2,59	1,08
24,0	32	4,39	2,76	0,80	4,23	2,70	0,87	4,07	2,65	0,94	4,00	2,63	0,97	3,90	2,59	1,01	3,74	2,54	1,09

Heating ·50· Hz ·230· V

AFR	11,5
-----	------

Indoor temperature		Outdoor temperature [°C WB]											
EDB	°C	-15		-10		-5		0		6		10	
		TC	PI	TC	PI	TC	PI	TC	PI	TC	PI	TC	PI
15,0		1,90	0,64	2,29	0,67	2,67	0,71	3,07	0,92	4,14	0,97	4,50	1,01
20,0		1,79	0,66	2,17	0,69	2,56	0,72	2,95	0,95	4,00	1,00	4,36	1,03
22,0		1,74	0,67	2,12	0,70	2,51	0,73	2,90	0,95	3,94	1,00	4,31	1,04
24,0		1,69	0,67	2,08	0,71	2,46	0,74	2,85	0,96	3,89	1,01	4,25	1,05
25,0		1,67	0,68	2,05	0,71	2,44	0,74	2,83	0,97	3,86	1,02	4,22	1,05
27,0		1,62	0,68	2,01	0,72	2,39	0,75	2,78	0,98	3,81	1,03	4,17	1,06

Symbols

- AFR : Air flow rate [m³/min]
- BF : Bypass factor
- EWB : Entering wet-bulb temperature (°C WB)
- EDB : Entering dry-bulb temperature (°C DB)
- TC : Total capacity [kW]
- SHC : Sensible heat capacity [kW]
- PI : Power input [kW]

Notes

1. The ratings shown are net capacities which include a deduction for indoor fan motor heat.
2. The bold cells indicate the standard conditions.
Rated operating frequency [Hz]
3. The capacities are based on the following conditions:
Corresponding refrigerant piping length: ·5· m
Level difference: ·0· m
4. The air flow rate and bypass factor are mentioned in the table.

3D122036A

FTXP50M / RXP50M

Cooling ·50· Hz ·230· V

AFR	16,3
BF	0,27

Indoor temperature		Outdoor temperature [°C DB]																	
EWB	EDB	20			25			30			32			35			40		
		TC	SHC	PI	TC	SHC	PI	TC	SHC	PI	TC	SHC	PI	TC	SHC	PI	TC	SHC	PI
14,0	20	5,12	3,71	1,06	4,89	3,59	1,17	4,66	3,47	1,27	4,56	3,42	1,31	4,42	3,35	1,37	4,19	3,24	1,46
16,0	22	5,35	3,64	1,07	5,12	3,53	1,17	4,89	3,42	1,27	4,79	3,38	1,32	4,65	3,31	1,38	4,42	3,20	1,47
18,0	25	5,58	3,80	1,07	5,35	3,70	1,18	5,12	3,59	1,28	5,02	3,55	1,32	4,88	3,49	1,38	4,65	3,39	1,48
19,0	27	5,70	3,99	1,08	5,47	3,89	1,18	5,23	3,79	1,28	5,14	3,75	1,33	5,00	3,70	1,39	4,77	3,60	1,48
22,0	30	6,04	3,85	1,09	5,81	3,76	1,19	5,58	3,67	1,29	5,49	3,63	1,33	5,35	3,58	1,39	5,11	3,50	1,49
24,0	32	6,27	3,74	1,09	6,04	3,66	1,20	5,81	3,58	1,30	5,72	3,55	1,34	5,58	3,50	1,39	5,34	3,42	1,50

Heating ·50· Hz ·230· V

AFR	17,3
-----	------

Indoor temperature		Outdoor temperature [°C WB]											
EDB	°C	-15		-10		-5		0		6		10	
		TC	PI	TC	PI	TC	PI	TC	PI	TC	PI	TC	PI
15,0		2,86	1,02	3,43	1,07	4,01	1,12	4,58	1,47	6,21	1,54	6,75	1,60
20,0		2,68	1,04	3,26	1,10	3,83	1,15	4,41	1,50	6,00	1,58	6,54	1,63
22,0		2,61	1,06	3,19	1,11	3,76	1,16	4,34	1,52	5,92	1,59	6,46	1,65
24,0		2,54	1,07	3,12	1,12	3,69	1,17	4,27	1,53	5,83	1,61	6,38	1,66
25,0		2,51	1,07	3,08	1,13	3,66	1,18	4,23	1,54	5,79	1,61	6,33	1,67
27,0		2,43	1,08	3,01	1,14	3,59	1,19	4,17	1,55	5,71	1,63	6,25	1,68

Symbols

- AFR : Air flow rate [m³/min]
- BF : Bypass factor
- EWB : Entering wet-bulb temperature (°C WB)
- EDB : Entering dry-bulb temperature (°C DB)
- TC : Total capacity [kW]
- SHC : Sensible heat capacity [kW]
- PI : Power input [kW]

Notes

1. The ratings shown are net capacities which include a deduction for indoor fan motor heat.
2. The bold cells indicate the standard conditions.
Rated operating frequency [Hz]
3. The capacities are based on the following conditions:
Corresponding refrigerant piping length: ·5· m
Level difference: ·0· m
4. The air flow rate and bypass factor are mentioned in the table.

3D120340A

4 Capacity tables

4 - 1 Cooling/Heating Capacity Tables

FTXP60M / RXP60M

Cooling ·50· Hz ·230· V

AFR	16,8
BF	0,27

Indoor temperature			Outdoor temperature [°C DB]																	
EWB	EDB	°C	20			25			30			32			35			40		
			TC	SHC	PI	TC	SHC	PI	TC	SHC	PI	TC	SHC	PI	TC	SHC	PI	TC	SHC	PI
14,0	20	°C	6,15	4,35	1,40	5,87	4,20	1,53	5,59	4,05	1,67	5,48	4,00	1,72	5,31	3,91	1,81	5,03	3,77	1,95
16,0	22	°C	6,42	4,27	1,41	6,14	4,13	1,55	5,86	4,00	1,68	5,75	3,94	1,73	5,59	3,86	1,81	5,31	3,73	1,95
18,0	25	°C	6,70	4,44	1,42	6,42	4,31	1,56	6,14	4,18	1,69	6,03	4,13	1,75	5,86	4,05	1,82	5,58	3,93	1,96
19,0	27	°C	6,84	4,65	1,42	6,56	4,52	1,56	6,28	4,40	1,69	6,17	4,35	1,75	6,00	4,28	1,82	5,72	4,16	1,97
22,0	30	°C	7,25	4,47	1,43	6,97	4,36	1,57	6,69	4,25	1,70	6,58	4,21	1,76	6,41	4,14	1,83	6,14	4,04	1,98
24,0	32	°C	7,53	4,34	1,45	7,25	4,24	1,58	6,97	4,14	1,71	6,86	4,10	1,77	6,69	4,04	1,85	6,41	3,94	1,98

Heating ·50· Hz ·230· V

AFR	17,9
-----	------

Indoor temperature		Outdoor temperature [°C WB]											
EDB	°C	-15		-10		-5		0		6		10	
		TC	PI	TC	PI	TC	PI	TC	PI	TC	PI	TC	PI
15,0	°C	3,33	1,24	4,01	1,31	4,68	1,37	5,35	1,79	7,24	1,89	7,87	1,95
20,0	°C	3,13	1,28	3,80	1,34	4,47	1,40	5,14	1,83	7,00	1,93	7,63	1,99
22,0	°C	3,05	1,29	3,72	1,35	4,39	1,42	5,06	1,85	6,90	1,95	7,54	2,01
24,0	°C	2,96	1,30	3,64	1,37	4,31	1,43	4,98	1,87	6,81	1,96	7,44	2,03
25,0	°C	2,92	1,31	3,59	1,37	4,27	1,44	4,94	1,88	6,76	1,97	7,39	2,04
27,0	°C	2,84	1,32	3,51	1,39	4,18	1,45	4,85	1,89	6,66	1,99	7,29	2,05

Symbols

- AFR: Air flow rate [m³/min]
- BF: Bypass factor
- EWB: Entering wet-bulb temperature (°C WB)
- EDB: Entering dry-bulb temperature (°C DB)
- TC: Total capacity [kW]
- SHC: Sensible heat capacity [kW]
- PI: Power input [kW]

Notes

1. The ratings shown are net capacities which include a deduction for indoor fan motor heat.
2. The bold cells indicate the standard conditions.
Rated operating frequency [Hz]
3. The capacities are based on the following conditions:
Corresponding refrigerant piping length: ·5· m
Level difference: ·0· m
4. The air flow rate and bypass factor are mentioned in the table.

3D120341A

FTXP71M / RXP71M

Cooling ·50· Hz ·230· V

AFR	16,8
BF	0,27

Indoor temperature			Outdoor temperature [°C DB]																	
EWB	EDB	°C	20			25			30			32			35			40		
			TC	SHC	PI	TC	SHC	PI	TC	SHC	PI	TC	SHC	PI	TC	SHC	PI	TC	SHC	PI
14,0	20	°C	7,28	5,14	2,07	6,95	4,97	2,26	6,61	4,79	2,46	6,48	4,73	2,54	6,28	4,62	2,67	5,95	4,46	2,87
16,0	22	°C	7,60	5,05	2,08	7,27	4,88	2,28	6,93	4,73	2,48	6,80	4,66	2,56	6,61	4,56	2,67	6,28	4,41	2,87
18,0	25	°C	7,93	5,25	2,10	7,60	5,10	2,30	7,27	4,94	2,49	7,14	4,88	2,57	6,93	4,79	2,69	6,60	4,65	2,89
19,0	27	°C	8,09	5,50	2,10	7,76	5,34	2,30	7,43	5,20	2,49	7,30	5,14	2,57	7,10	5,06	2,69	6,77	4,92	2,90
22,0	30	°C	8,58	5,28	2,12	8,25	5,15	2,31	7,92	5,02	2,51	7,79	4,98	2,59	7,58	4,89	2,71	7,27	4,78	2,92
24,0	32	°C	8,91	5,13	2,13	8,58	5,01	2,33	8,25	4,89	2,53	8,12	4,85	2,61	7,92	4,78	2,72	7,58	4,66	2,92

Heating ·50· Hz ·230· V

AFR	17,9
-----	------

Indoor temperature		Outdoor temperature [°C WB]											
EDB	°C	-15		-10		-5		0		6		10	
		TC	PI	TC	PI	TC	PI	TC	PI	TC	PI	TC	PI
15,0	°C	3,90	1,65	4,70	1,74	5,48	1,82	6,26	2,38	8,48	2,52	9,22	2,60
20,0	°C	3,67	1,70	4,45	1,78	5,24	1,86	6,03	2,44	8,20	2,57	8,94	2,65
22,0	°C	3,57	1,72	4,36	1,80	5,14	1,89	5,92	2,46	8,08	2,60	8,83	2,68
24,0	°C	3,47	1,73	4,26	1,82	5,05	1,90	5,83	2,49	7,98	2,61	8,72	2,70
25,0	°C	3,42	1,74	4,21	1,82	5,00	1,92	5,79	2,50	7,92	2,62	8,66	2,72
27,0	°C	3,33	1,76	4,11	1,85	4,90	1,93	5,69	2,52	7,80	2,65	8,54	2,73

Symbols

- AFR: Air flow rate [m³/min]
- BF: Bypass factor
- EWB: Entering wet-bulb temperature (°C WB)
- EDB: Entering dry-bulb temperature (°C DB)
- TC: Total capacity [kW]
- SHC: Sensible heat capacity [kW]
- PI: Power input [kW]

Notes

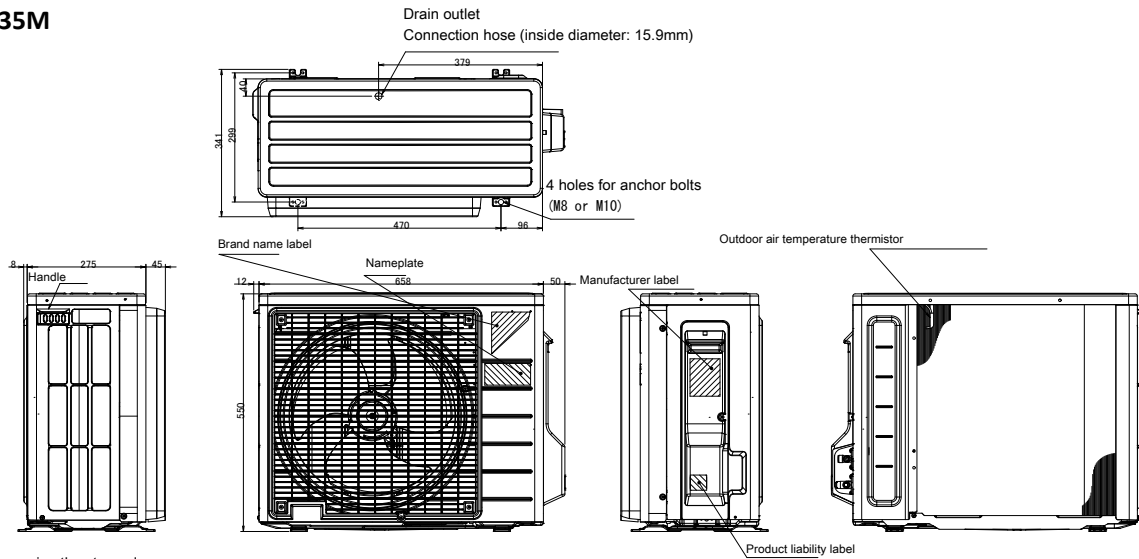
1. The ratings shown are net capacities which include a deduction for indoor fan motor heat.
2. The bold cells indicate the standard conditions.
Rated operating frequency [Hz]
3. The capacities are based on the following conditions:
Corresponding refrigerant piping length: ·5· m
Level difference: ·0· m
4. The air flow rate and bypass factor are mentioned in the table.

3D120342A

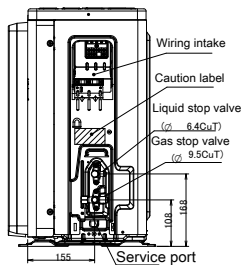
5 Dimensional drawings

5 - 1 Dimensional Drawings

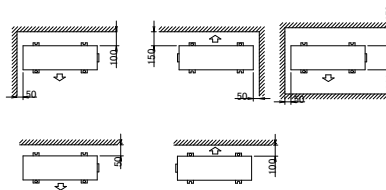
RXP20-35M



In case of removing the stop valve cover.

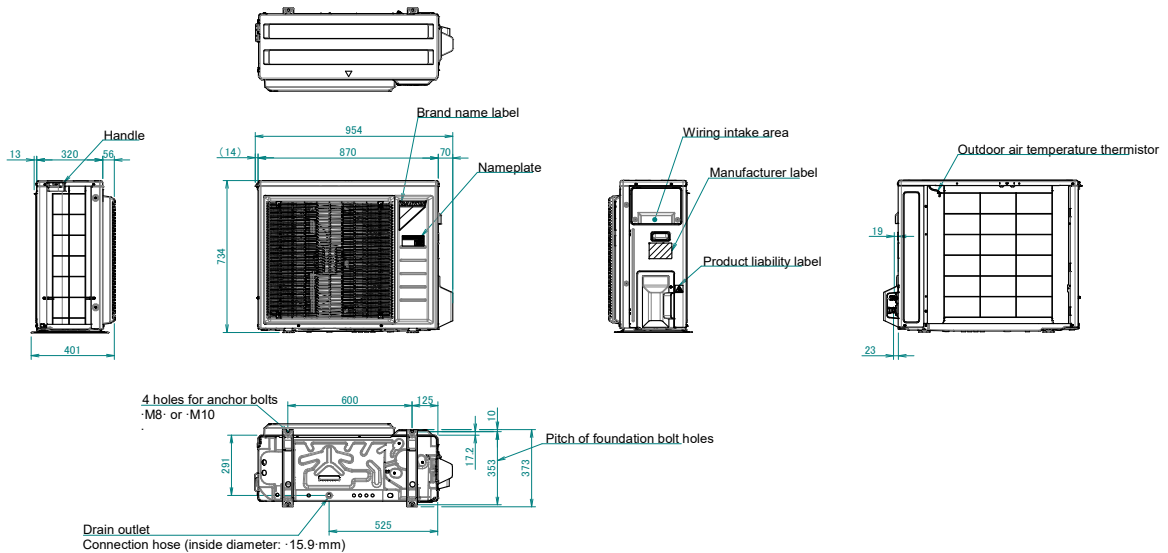


Minimum space for air passage
Wall height on air outlet side < 1200 mm

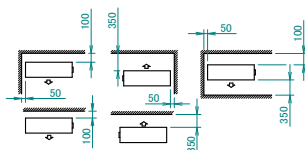


2D113526

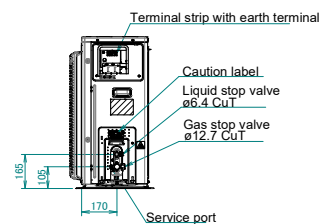
RXP50-71M



Minimum space for air passage
Wall height on air outlet side < 1200 mm



In case of removing the stop valve cover.



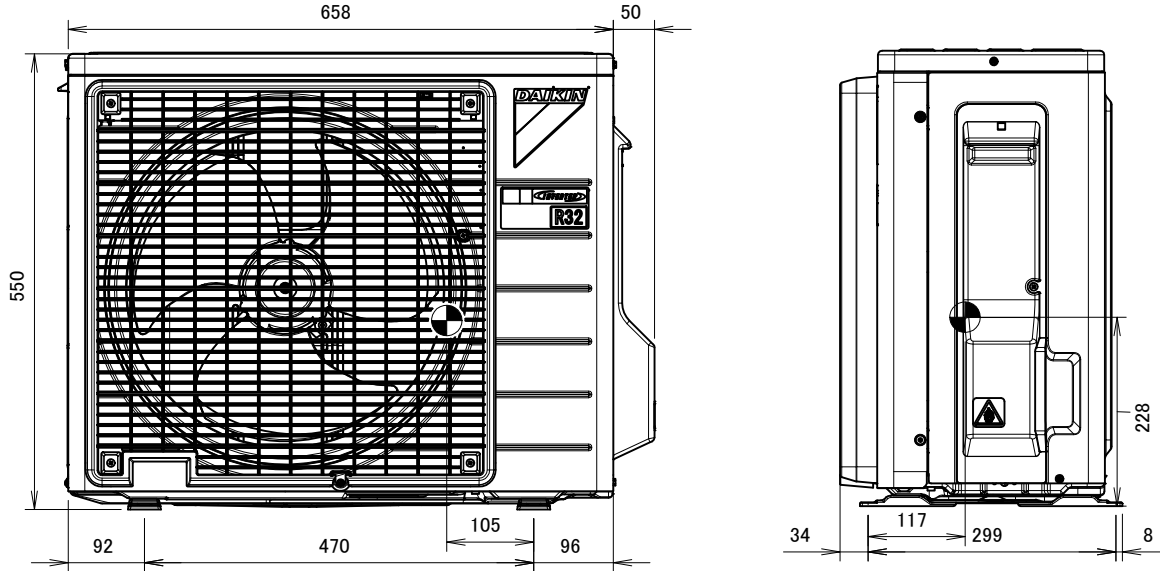
3D114108B

6 Centre of gravity

6 - 1 Centre of Gravity

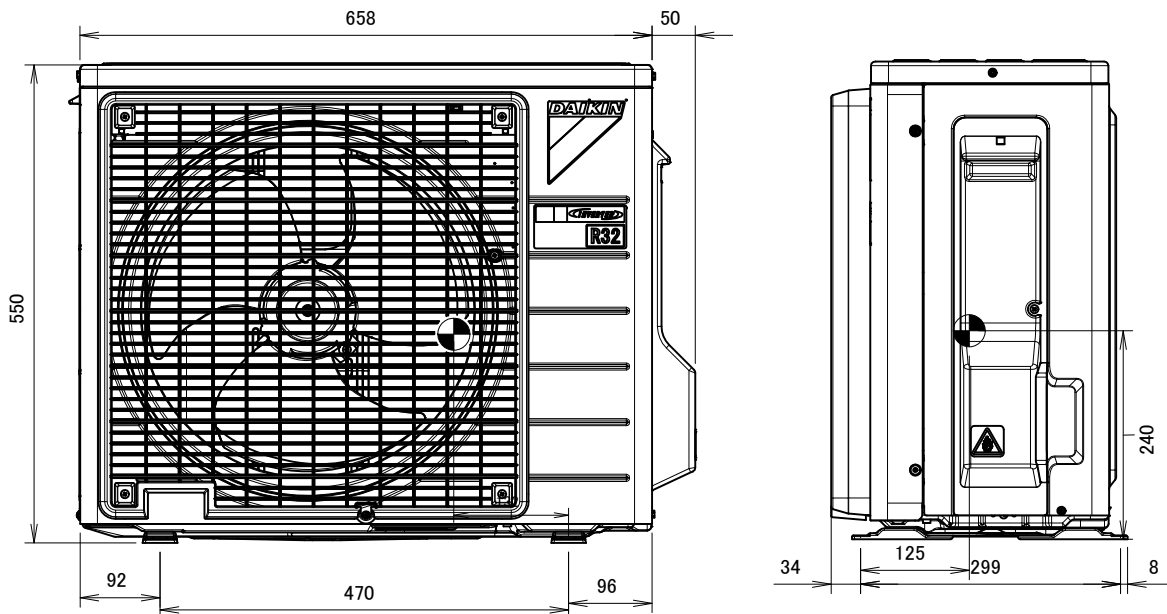
6

RXP20-25M



4D116239

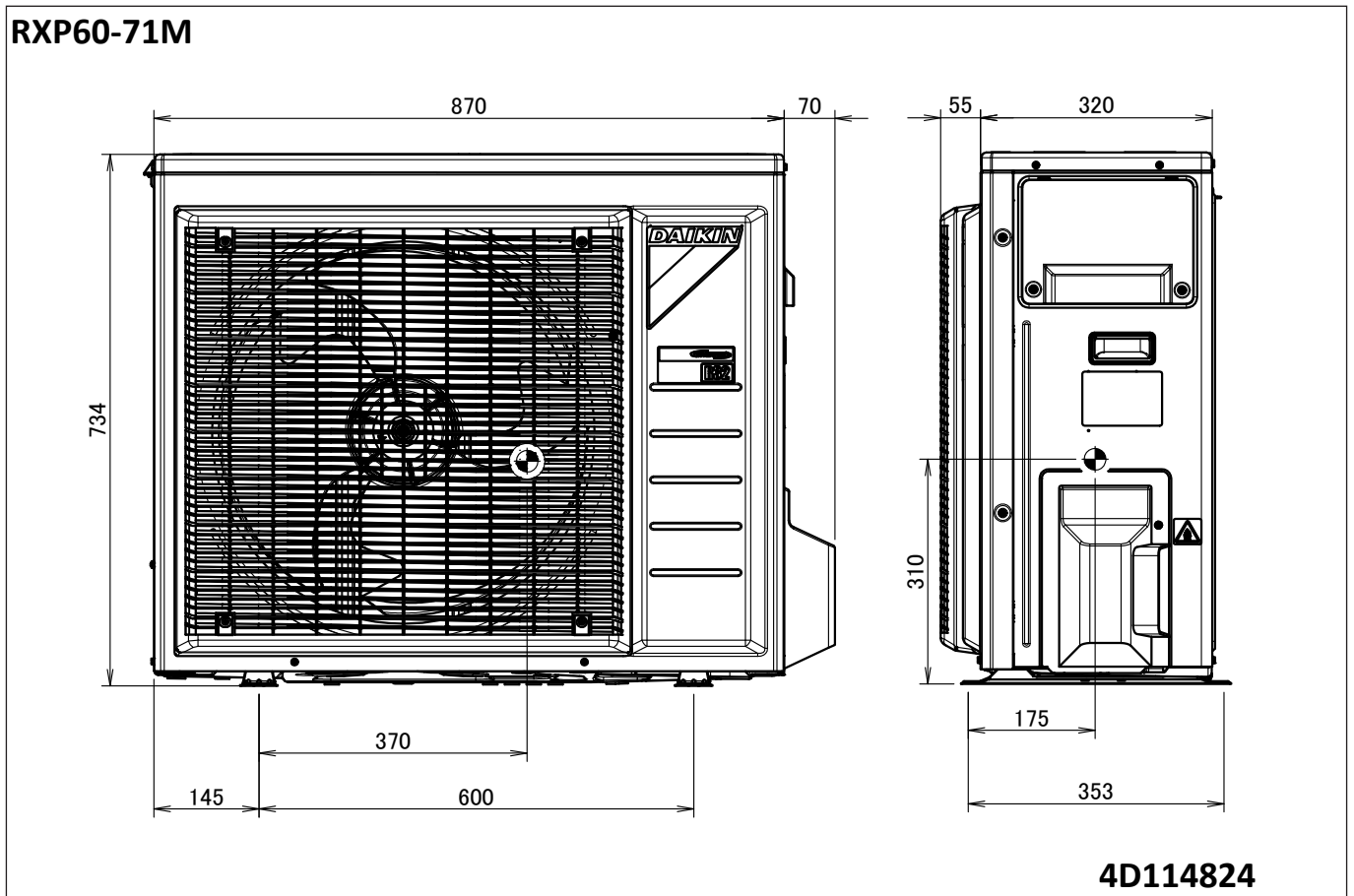
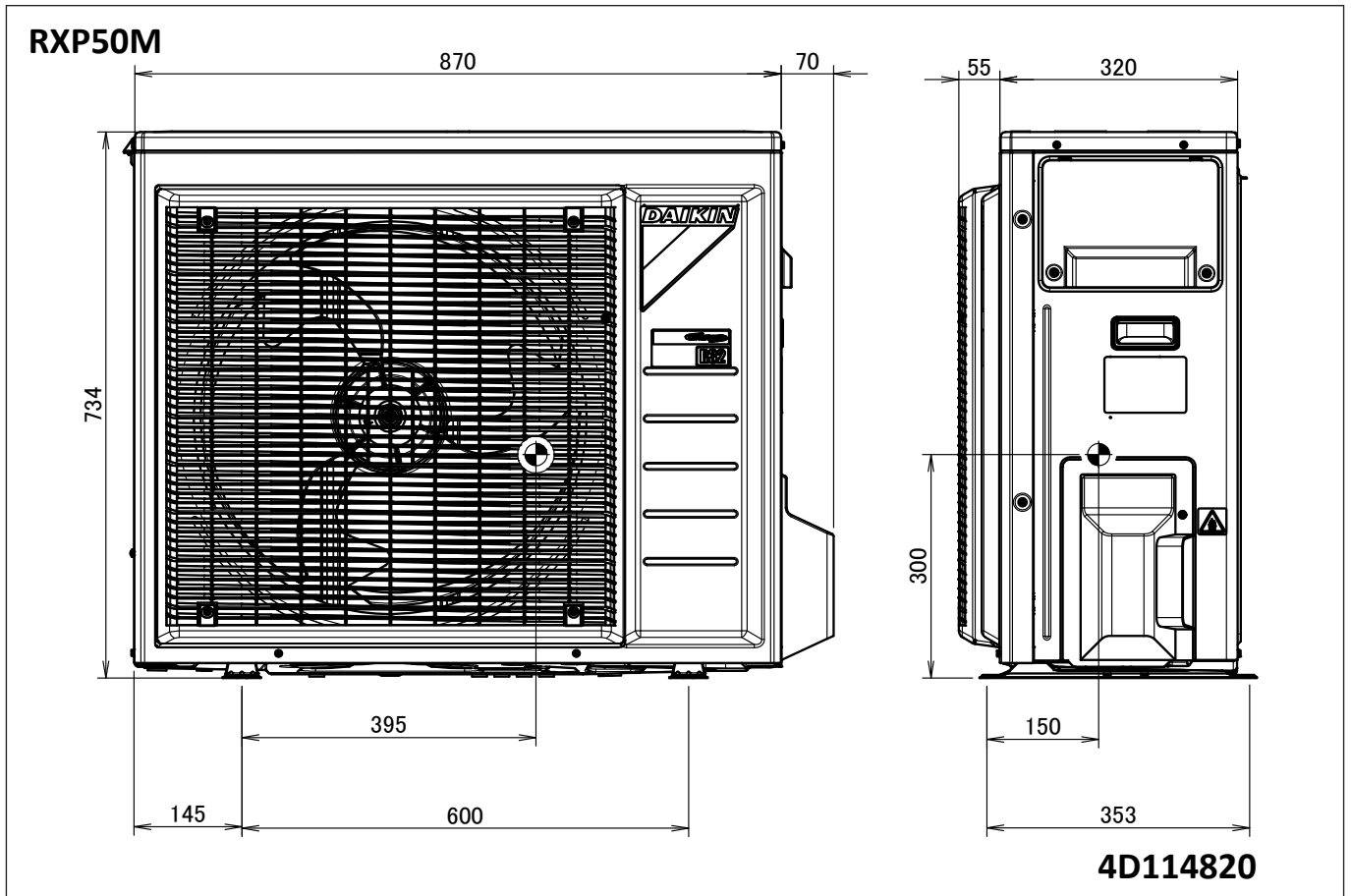
RXP35M



4D116242

6 Centre of gravity

6 - 1 Centre of Gravity

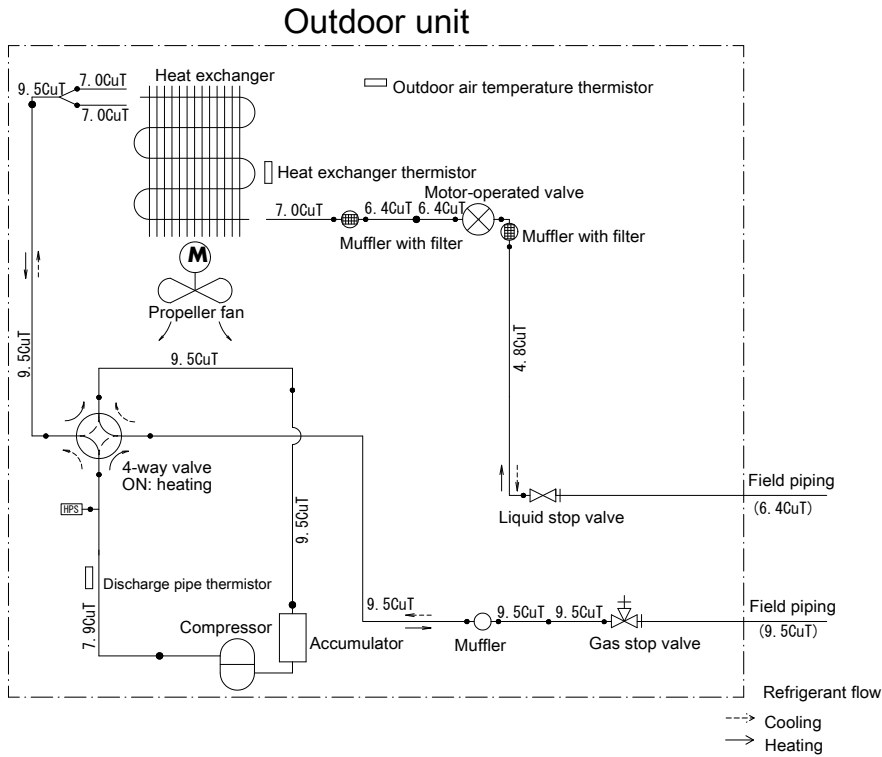


7 Piping diagrams

7 - 1 Piping Diagrams

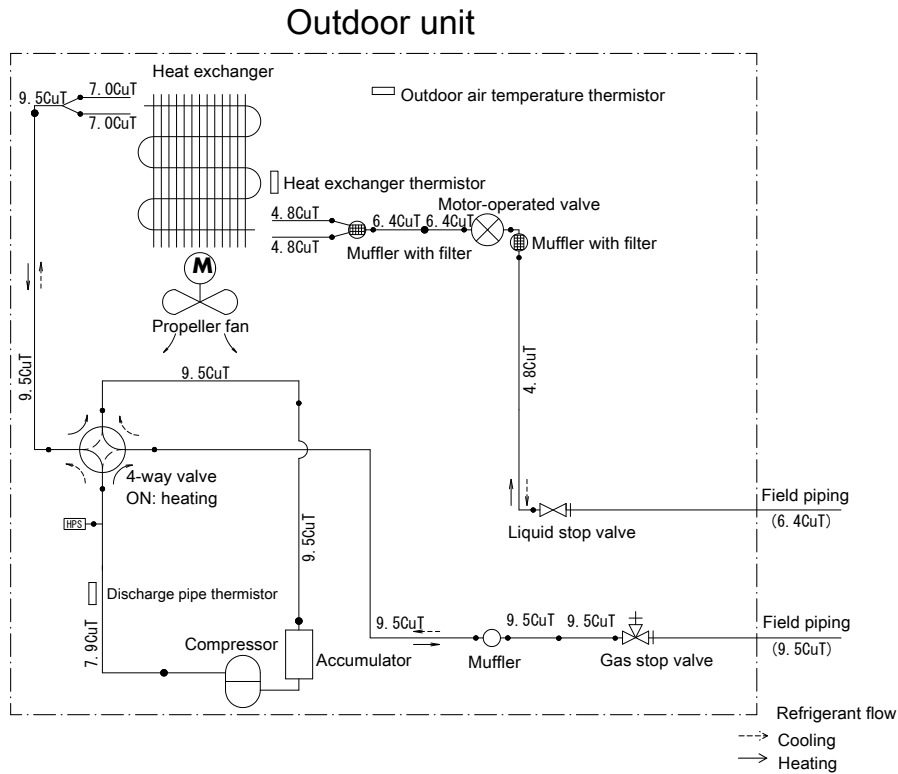
7

RXP20-25M



3D116254

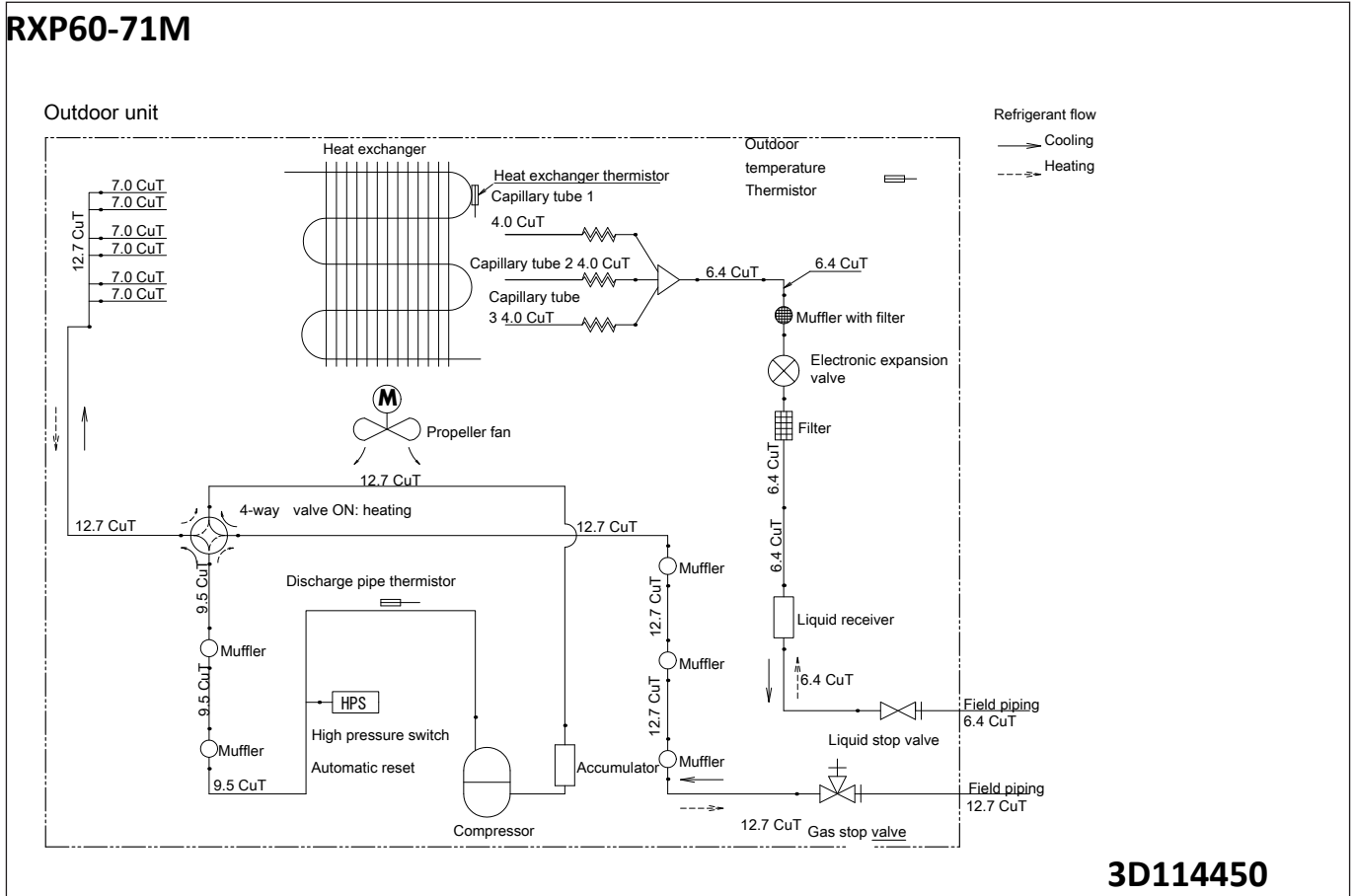
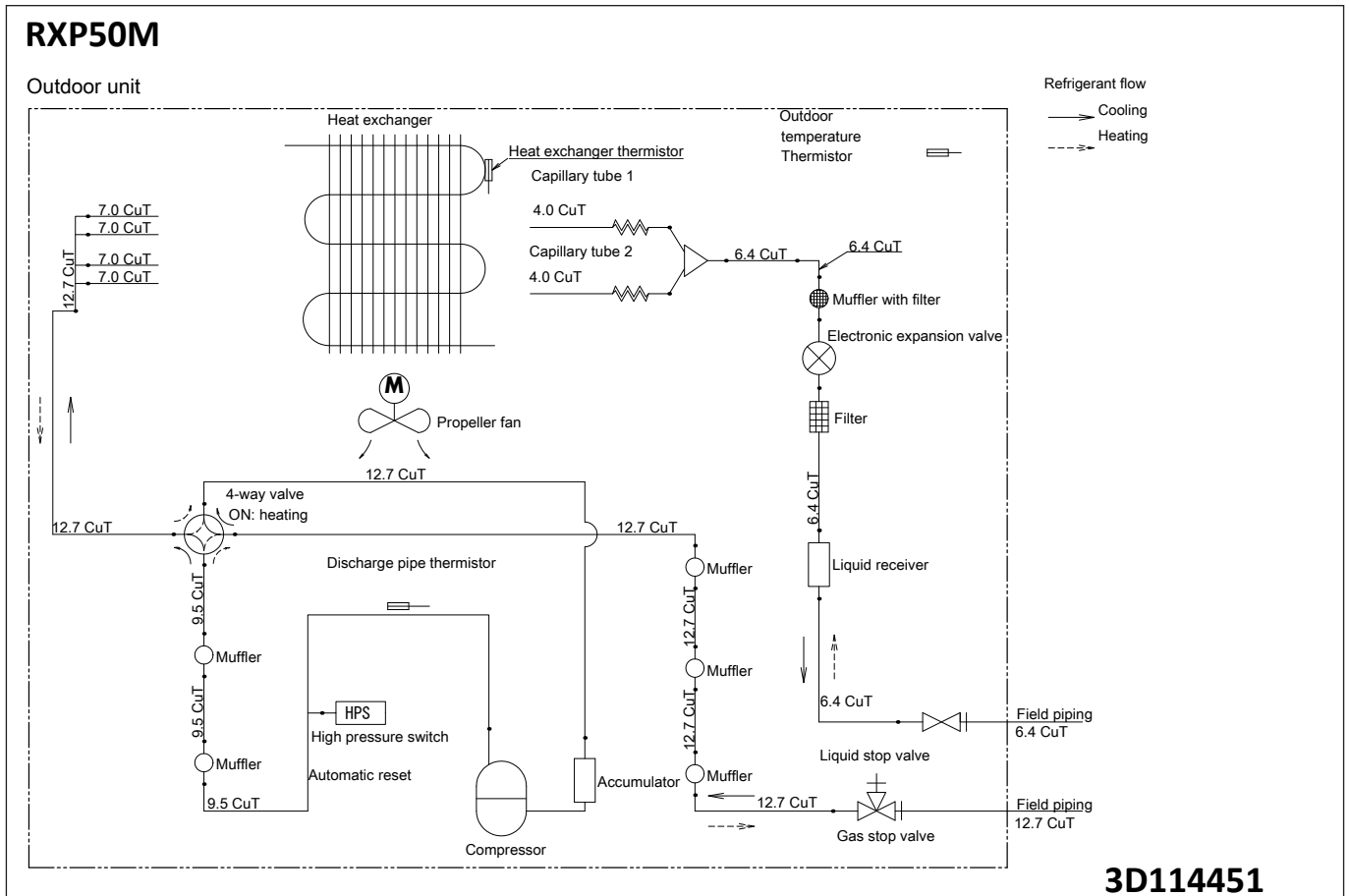
RXP35M



3D114612A

7 Piping diagrams

7 - 1 Piping Diagrams



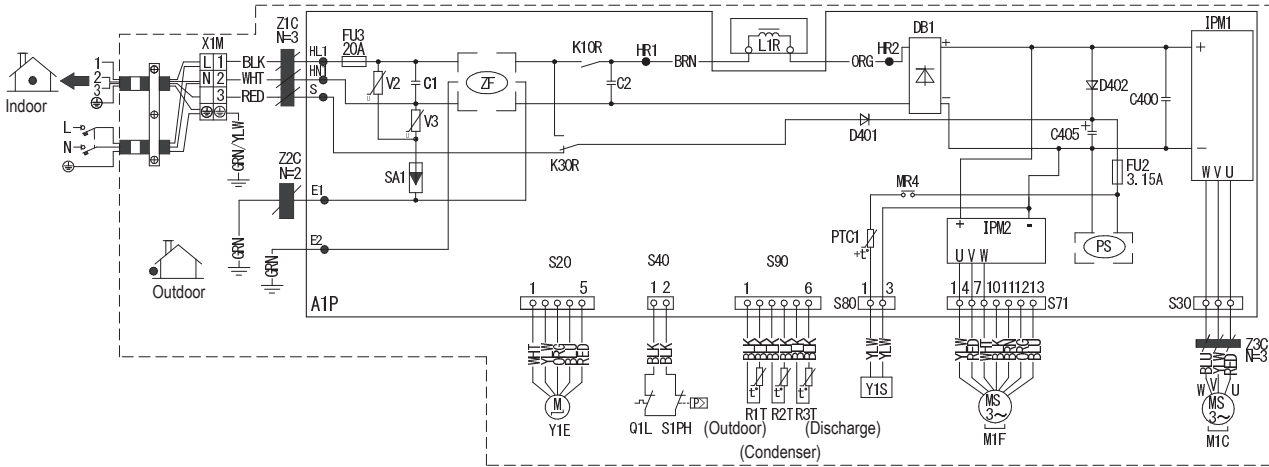
8 Wiring diagrams

8 - 1 Wiring Diagrams - Single Phase

8

RXP20-35M

Wiring diagram



C1, C2, C400, C405	Capacitor
HL1, HN1, S, E1, E2, HR1, HR2	Connection
D401, D402	Diode
DB1	Diode bridge
FU2, FU3	Fuse
IPM1, IPM2	Intelligent power module
L1R	Reactor
M1C	Compressor motor
M1F	Fan motor
K30R, K10R, MR4	Magnetic relay
A1P	Printed circuit board
PS	Switching power supply
Q1L	Overload protector
R1T, R2T, R3T	Thermistor
S1PH	High pressure switch
SA1	Surge arrester
S20, S30, S40, S71, S80, S90	Connector
V2, V3	Varistor
X1M	Terminal strip
Y1S	Reversing solenoid valve coil
PTC1	Thermistor PTC
Y1E	Electronic expansion valve coil
Z1C, Z2C, Z3C	Ferrite core
ZF	Noise filter

BLK:	Black
WHT:	White
BRN:	Brown
RED:	Red
GRN:	Green
YLW:	Yellow
ORG:	Orange
BLU:	Blue

⊕ : Protective earth

⊥ : Earth

▬ : Field wiring

NOTES

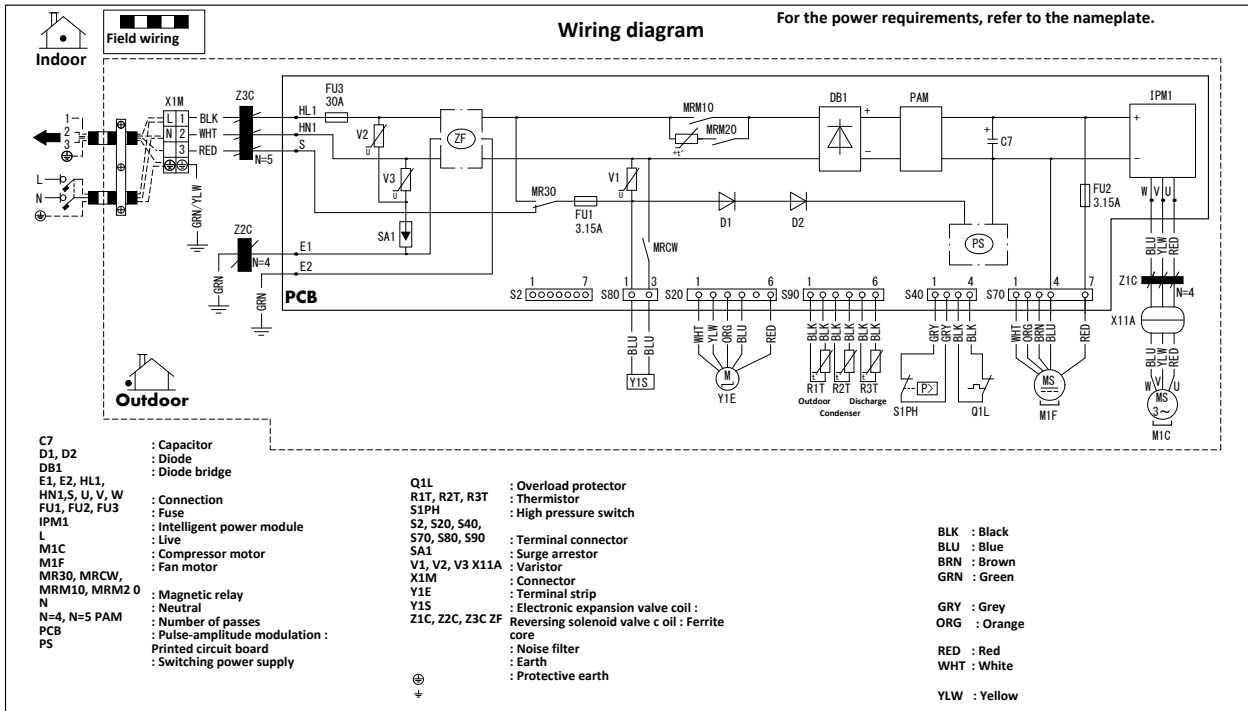
1. Refer to the nameplate for the power requirements.

3D114611A

8 Wiring diagrams

8 - 1 Wiring Diagrams - Single Phase

RXP50-71M



Notes:

1. Size: 105 x 185
2. Refer to purchasing specification AS(Y)303002, unless otherwise specified.

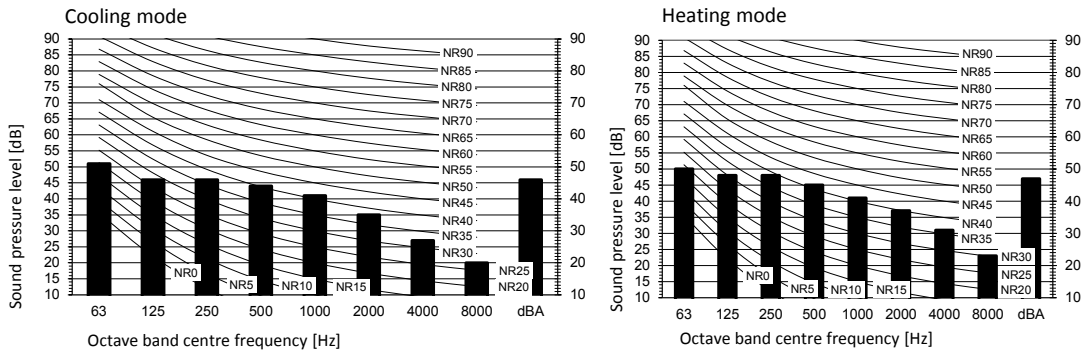
3D114452A

9 Sound data

9 - 1 Sound Pressure Spectrum

9

RXP20M

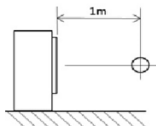


Legend

dBA = A-weighted sound pressure level (A scale according to IEC).

A Scale
 B High Fan speed

Location of microphone



Cooling		Total dB
A	B	
dBA		46

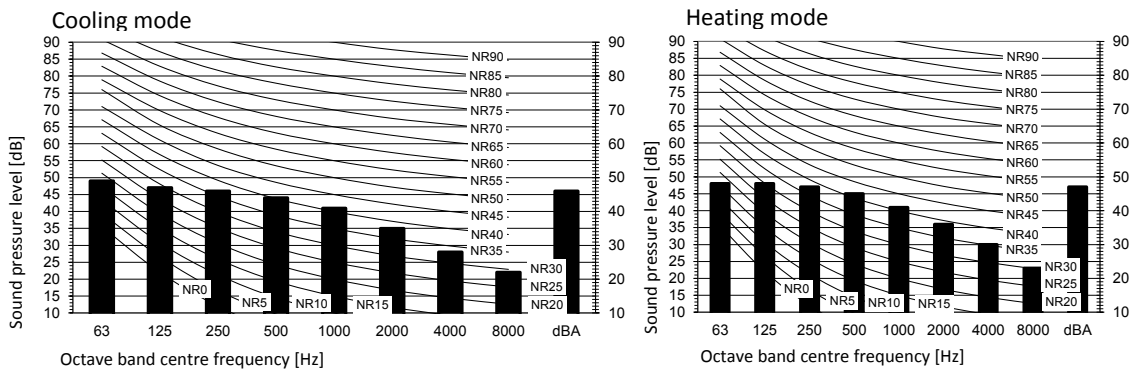
Heating		Total dB
A	B	
dBA		47

Notes

1. Operating conditions: power source 220-240 V/220 V 50/60 Hz; JIS standard
2. Background noise already taken into account.
3. Operating noise varies depending on operation and ambient conditions.
4. The operation noise measuring method is in accordance with JISC9612.
5. Measuring location: anechoic chamber

3D092072D

RXP25M

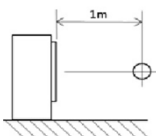


Legend

dBA = A-weighted sound pressure level (A scale according to IEC).

A Scale
 B High Fan speed

Location of microphone



Cooling		Total dB
A	B	
dBA		46

Heating		Total dB
A	B	
dBA		47

Notes

1. Operating conditions: power source 220-240 V/220 V 50/60 Hz; JIS standard
2. Background noise already taken into account.
3. Operating noise varies depending on operation and ambient conditions.
4. The operation noise measuring method is in accordance with JISC9612.
5. Measuring location: anechoic chamber

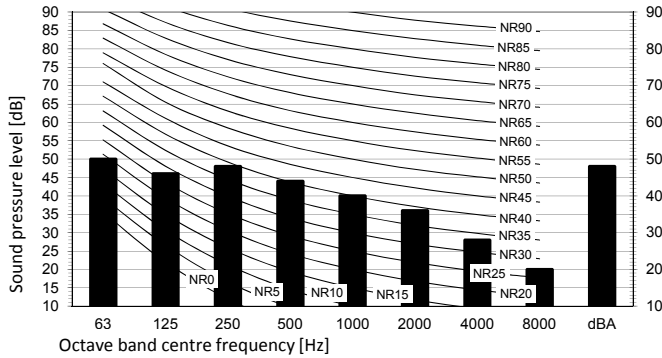
3D092073D

9 Sound data

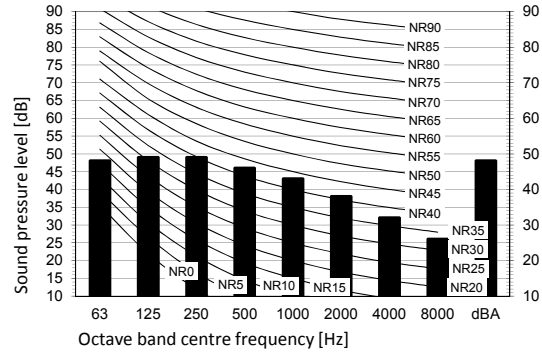
9 - 1 Sound Pressure Spectrum

RXP35M

Cooling mode



Heating mode



Legend

dBA = A-weighted sound pressure level (A scale according to IEC).

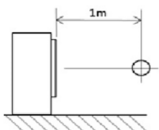
A Scale

B High Fan speed

Cooling		Total dB
A	B	
dBA		48

Heating		Total dB
A	B	
dBA		48

Location of microphone



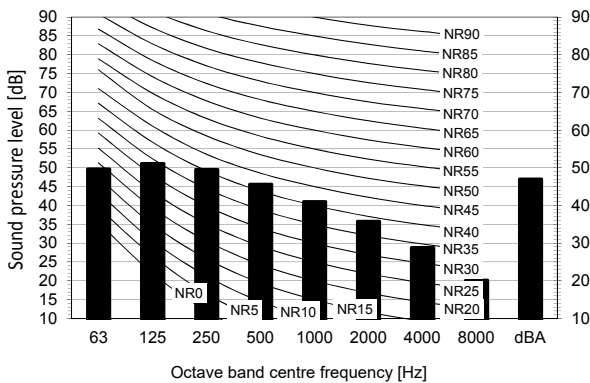
Notes

1. Operating conditions: power source 220-240 V/220 V 50/60 Hz; JIS standard
2. Background noise already taken into account.
3. Operating noise varies depending on operation and ambient conditions.
4. The operation noise measuring method is in accordance with JISC9612.
5. Measuring location: anechoic chamber

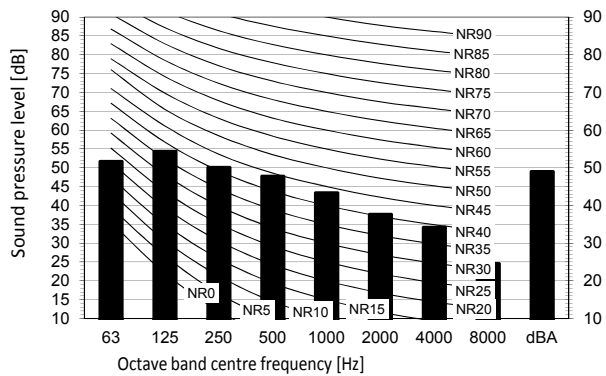
3D092074D

RXP50M

Cooling mode



Heating mode



Legend

dBA = A-weighted sound pressure level (A scale according to IEC).

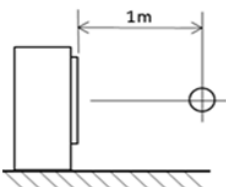
A Scale

B Fan speed: High

Cooling		Total dB
A	B	
dBA		47

Heating		Total dB
A	B	
dBA		49

Location of microphone



Notes

1. Operating conditions: power source 220-240 V/220 V 50/60 Hz; JIS standard
2. Background noise already taken into account.
3. Operating noise varies depending on operation and ambient conditions.
4. The operation noise measuring method is in accordance with JISC9612.
5. Measuring location: anechoic chamber

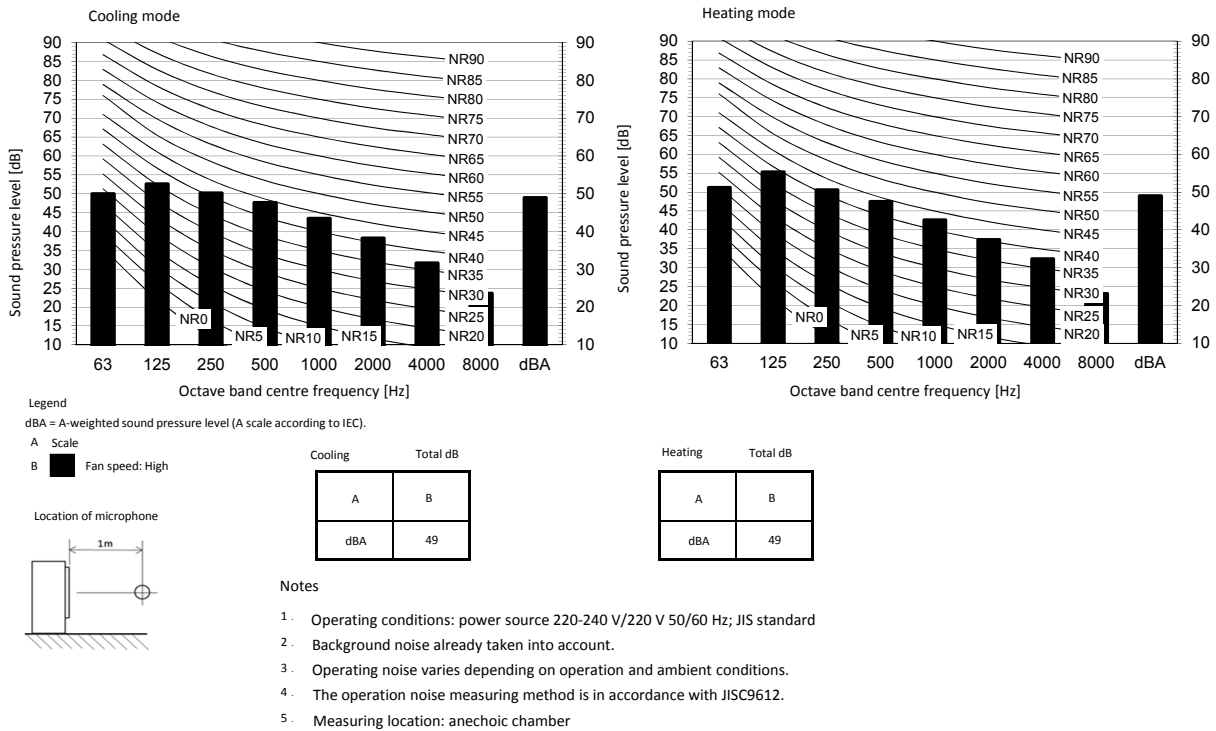
3D115238

9 Sound data

9 - 1 Sound Pressure Spectrum

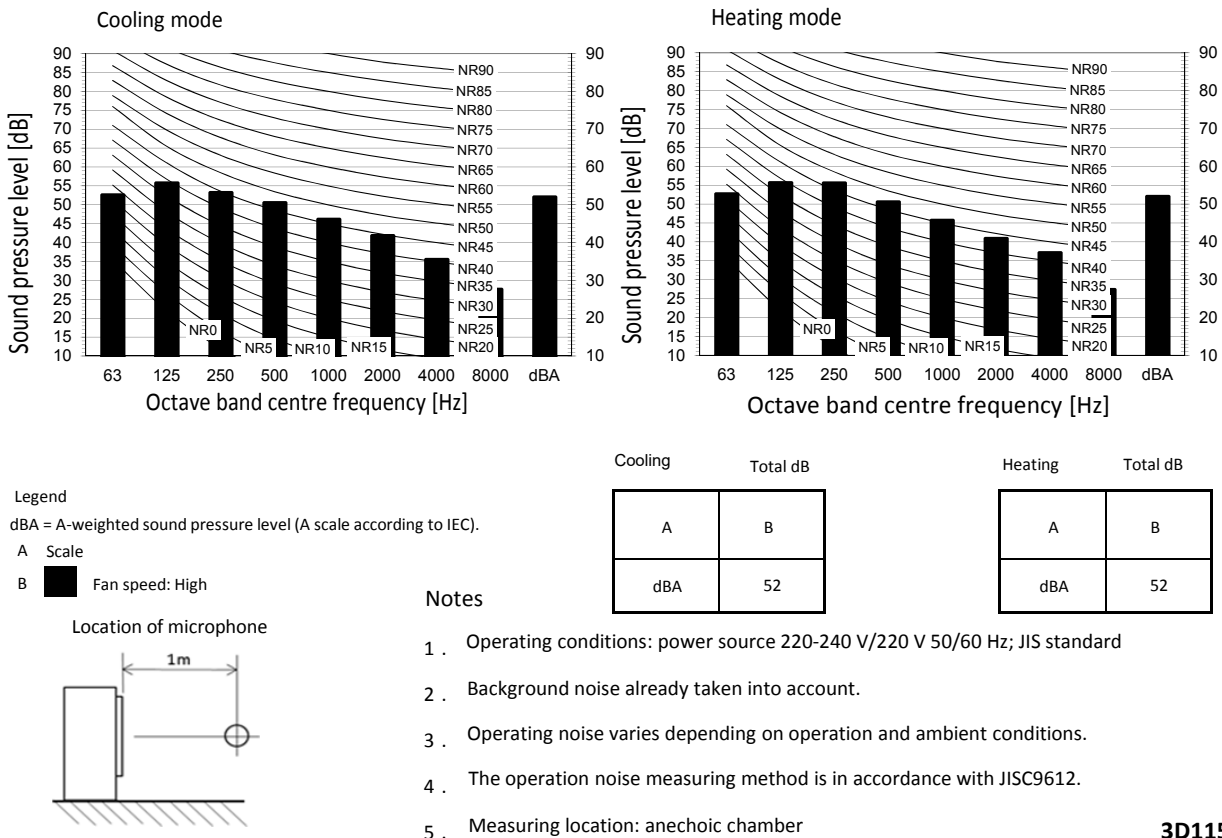
9

RXP60M



3D115239

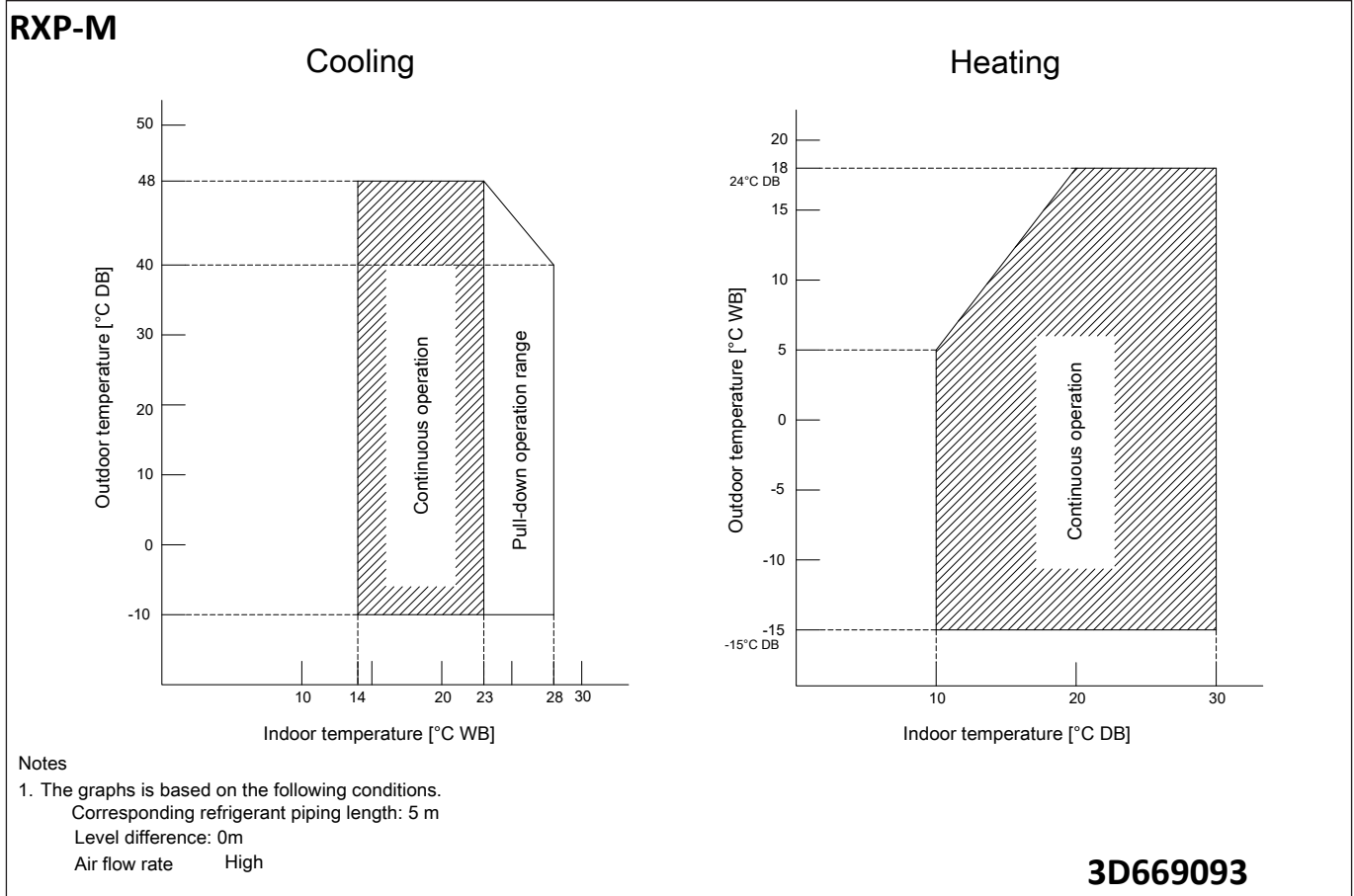
RXP71M



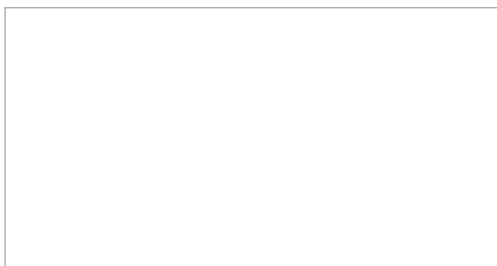
3D115240

10 Operation range

10 - 1 Operation Range



Daikin Europe N.V. Naamloze Vennootschap · Zandvoordestraat 300 · 8400 Oostende · Belgium · www.daikin.eu · BE 0412 120 336 · RPR Oostende (Responsible Editor)



Daikin Europe N.V. participates in the Eurovent Certified Performance programme for Fan Coil Units and Variable Refrigerant Flow systems. Check ongoing validity of certificate: www.eurovent-certification.com

EEDEN22

04/2022



The present publication is drawn up by way of information only and does not constitute an offer binding upon Daikin South Africa. Daikin South Africa has compiled the content of this publication to the best of its knowledge. No express or implied warranty is given for the completeness, accuracy, reliability or fitness for particular purpose of its content and the products and services presented therein. Specifications are subject to change without prior notice. Daikin South Africa explicitly rejects any liability for any direct or indirect damage, in the broadest sense, arising from or related to the use and/or interpretation of this publication. All content is copyrighted by Daikin South Africa.